

# SCENT CRUSHER™

## WashO<sub>3</sub> Instruction Manual



**CAUTION:** Read manual carefully for proper procedures and operation.

## PRODUCT DESCRIPTION

Scent Crusher WashO3 is an environmentally friendly appliance intended for use with a residential washing machine.

Designed to work with your washing machine, WashO3 mixes active oxygen into the water. The processed water can wash clothes cleanly and kill bacteria on clothes without leaving any residual detergent.

WashO3 provides these main functions:

- Sterilization and disinfection
- Decontamination and purification
- Cleaning and softening
- Energy conservation and environmental protection

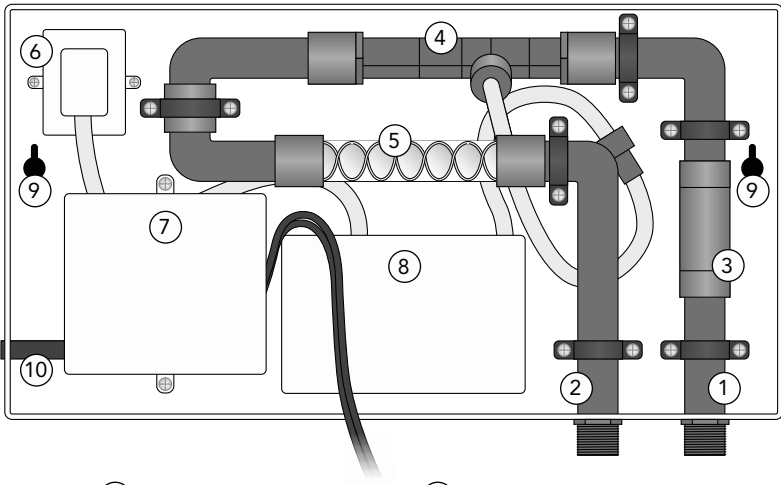
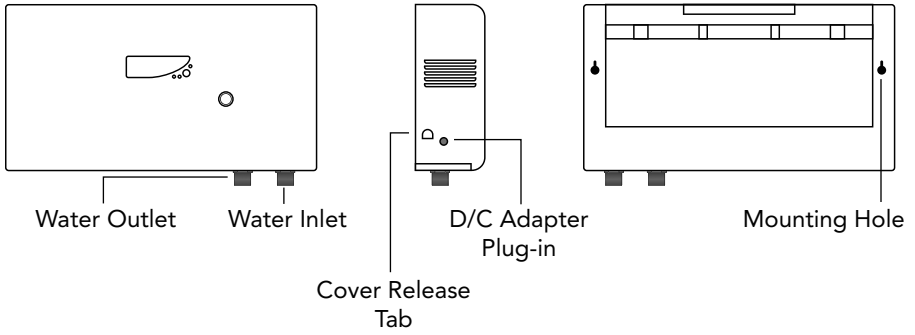
The operation of WashO3 is easy and convenient . As long as you install WashO3 properly, you simply need to operate your washing machine following manufacturer's operation instructions. WashO3 will start working automatically when the washing machine starts to work, and it will automatically turn off when the washing machine stops operation.

## TECHNICAL SPECIFICATIONS

<b>Model</b>	59501-LU
<b>Electrical</b>	Input: AC 100-240V/50-60Hz Output: DC 12V 3A 36W
<b>Ozone Concentration</b>	0.5 – 1.0 mg/L
<b>Water Pressure</b>	Minimum: 20psi Maximum: 100psi
<b>Operating Temperature</b>	COLD WATER or 0°C – 50°C
<b>Product Dimensions</b>	16.4" x 8.0" x 3.7"
<b>Net Weight</b>	3.85 lbs.
<b>Gross Weight</b>	5 lbs.

**Important Notes:** DO NOT OPEN the device. High Voltage. High Ozone Output. Inspection and repairs to be carried out by qualified techs. Please call our customer service number 1-877-575-3173.

## STRUCTURE DIAGRAM



- |                |                    |
|----------------|--------------------|
| ① Water Inlet  | ⑥ PCO Cell         |
| ② Water Outlet | ⑦ Control Module   |
| ③ Flow Switch  | ⑧ Oxidizing Module |
| ④ Venturi      | ⑨ Mounting Holes   |
| ⑤ Static Mixer | ⑩ Power Supply     |

## REPLACEMENT PARTS

	Part Name	Part No.
⑥	PCO Cell	WashO3-P – PCO
⑦	Control Module	WashO3-P – PCB
⑧	Oxidizing Module	WashO3-P – OM

## USE AND SAFETY CONSIDERATIONS

- Before using, please read the Instruction Manual carefully.
- Disconnect ALL power before servicing.
- Do not operate the unit with the cover removed.
- Maximum water inlet pressure is 100psi.
- Use the supplied new hose when connect the WashO3 unit to your washing machine. You should replace any existing washing machine hose that is more than 2 years old, with a new hose.
- To prevent leakage caused by back-flow from the washing machine, do not leave your water hose disconnected. Simply turn the water off at the valve / faucet on the wall and leave the hose connected.
- Use a soft cloth dampened with water to clean. Do not clean your WashO3 unit with harsh chemicals, abrasives or cleansers.
- Do not mount the WashO3 unit vertically or at an angle.
- WashO3 is designed for residential use only and is not intended for use in a commercial or industrial setting.
- WashO3 can work normally in the temperature range of 0°C – 50°C , without components breakdown.

## INSTALLATION REQUIREMENTS

### **Electrical Requirements**

- WashO3 requires 120Volt 60Hz power on a 15amp fuse or Circuit Breaker.
- A dedicated electrical circuit, equipped with an approved GFCI outlet, is recommended for supplying power to your WashO3.
- **NEVER** use an extension cord or a power adapter other than the one provided with the WashO3 unit.

### **Water Requirements**

- Water pressure of 20 to 100psi is required to correctly operate your WashO3.
- To avoid the possibility of water damage (i.e. a hose leak) it is recommended that you always turn off the water supply valves/faucets when the washing machine is not in use.
- Water quality may affect the performance of your WashO3. If you have water quality concerns, such as high content, consult a water filtration expert.

## INSTALLATION

1. The WASHO3 should be fastened to the wall, just above and behind your washing machine. It is recommended that the mounting hole on the right side of the WASHO3 (above the water inlet/outlet) be mounted to a wall stud, if possible. Two sets of mounting screws are included. If it is not possible to mount the WASHO3 to wall studs, you should use “molly” type expandable screw anchors, available at your local hardware store.
2. Remove the cover from your WashO3 unit by pressing the tabs on the side in, lifting up one inch and then straight out. Using a carpenter’s level to ensure the unit is mounted level, mark the location of the two mounting holes on the wall with a pencil. Drill appropriate sized holes for the screws or mollies in each marked location. Install the two screws leaving them protruding from the wall by about one inch.
3. Place the WashO3 against the wall so that the protruding screws slip through the mounting “keyholes” of the unit. Gently slide the unit down into the lock position of the keyholes. You can now tighten the screws against the housing of the unit. **DO NOT** over tighten as it may cause damage to the back of the unit.
4. Connect the cold water hose to the water outlet on the WashO3. Check that the rubber washer in the hose is in place and properly tighten the hose, but **DO NOT** over tighten.
5. With the supplied hose, connect the water inlet on the WashO3 to the cold water supply faucet. Make sure rubber washers are in place and properly tighten, but **DO NOT** over tighten.
6. Replace the cover on the WashO3 by placing one inch over the tabs and sliding down until it locks.

## SYSTEM SET UP

1. Turn on the water valve/faucet. Check the connections to ensure that there is no leakage or dripping. Tighten the hose connections, if necessary, but **DO NOT** over tight.
2. Connect power adapter, and then start your washer. Once the water begins to flow, the blue light of the WashO3 should begin to glow and your washing machine will begin to run through the normal cycles.

## **INDICATORS AND ALARM SYSTEM**

### **Indicator Light**

- The Indicator Light, viewed through the window in the front of the WashO3 has four states of operation.
- A blue light indicates the normal operating condition of the WashO3.
- No light indicates water goes through, but no ozone comes out.
- A flashing red light indicates the fan or ozone generator is not operating properly. Please contact Customer Service Department for service.
- A stable red light indicates a water leakage inside the unit.

### **Alarm**

- Your WashO3 is equipped with an internal leak detector. If a leak happens to develop on the inside of the unit, the water will accumulate on the bottom panel. The sensor will set off an audible alarm and will automatically turn the unit off. This alarm will continue to buzz until the leak is stopped and/or the unit is unplugged. If this alarm should occur, you should unplug the unit, turn off the cold water valve and call our Customer Service Department for support.
- Recommend to run a cycle on an empty machine. This will rinse out any build up in the machine.

## **DAILY USE OF WASHO3**

### **Daily Use**

The use of the WashO3 is very easy after installed and connected properly. You just need to operate your washer according to the instructions provided by the manufacturer of your washer.

### **Non-Use or Vacation Care**

Operate your washer and WashO3 only when you are at home. If you are on vacation or won't be using your washer for an extended period of time, you should unplug the power supplies to both the washer and WashO3 and turn off the water supply. This helps avoid accidental flooding due to a water pressure surge while you are away.

### **Stains**

For some serious or special stains, we suggest that you pre-treat them, just as you did before. For normally soiled laundry, you may not need to use any detergent powder or other detergent.

## **FREQUENTLY ASKED QUESTIONS**

### **Do tough stains have to be pretreated?**

We recommend that you continue to treat stains in the same manner as always. Tough stains should be pre-treated in the same fashion as before using the WashO3. For normally soiled laundry, the use of the WashO3 will allow you to use less detergent or no detergent at all.

### **Does WashO3 work with all forms of water?**

WashO3 will work with all household water qualities, but the better the incoming water quality the better the results you will have. If you use hard water, we recommend that you use a water softener for hard water and/or a pre-filter for chlorine.

### **What types of washing machines can work with WashO3?**

WashO3 can be used with almost any residential machine.

### **Will the WashO3 work with commercial washing machines?**

WashO3 is designed and recommended for residential use only, not for any commercial or industrial applications.

### **Is WashO3 only to be used with washing machines?**

Yes, the treated water by WashO3 is only used to launder clothes. The water from your WashO3 is not intended for drinking or ingesting.

**Liability Disclaimer:** Scent Crusher assumes no responsibility for any damage done to items from the use or misuse, neglect or lack of regular maintenance.

## **WARRANTY INFORMATION**

- Your WashO3 is warranted to be free from all defects in material and workmanship in normal household use for a period of 90 days from date of purchase.
- The warranty is granted only to the original purchaser and members of his or her immediate household. The warranty is subject to the following provisions. Any damages or malfunctions caused by negligence, abuse, or use not in accordance with the Owner's Manual are not covered by this warranty. Likewise, any defects or damages caused by unauthorized service or the use of other than Genuine Manufacturer parts are not covered.
- Manufacturer will, at its option, repair or replace a defective WashO3 or part(s) for the WashO3 that is covered by this warranty. As a matter of warranty policy, the manufacturer will not refund the customer's purchase price. Please record the Warranty Card information when you purchase the unit from Manufacturer or the distributor.
- To obtain warranty service, please contact our Customer Service Department at 1-877-575-3173 or visit [www.scentcrusher.com](http://www.scentcrusher.com).

**Thank you for your purchase!**

*Customer Service*

**1-877-575-3173**

**[www.scentcrusher.com](http://www.scentcrusher.com)**



MoJack Distributors

3535 N. Rock Road | Wichita, KS 67226 USA

1-877-575-3173

[www.theMoJack.com](http://www.theMoJack.com)